

Debate 1: Mild Disease on Biopsy for Genotype 1

TREATMENT

Nidhi A. Singh, M.D.
Rohit Satoskar, M.D.
University of Chicago

Hepatitis C Virus



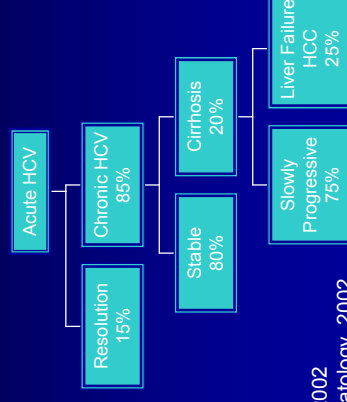
40% of all chronic liver disease
Most frequent indication for liver transplantation
Approximately one third of HCC cases in the US

*<http://www.stanford.edu/group/virus/Flaviv/2004gallo/cirrhosis.jpg>

Treatment for HCV

- All patients with mild disease should be considered for therapy
- Prevents HCV complications
 - Better response to therapy
 - Cost effective
 - Improvement in Quality of Life

Hepatitis C Virus Natural History



*NIH Consensus, 2002
**Di Bisceglie, Hepatology, 2002

Progression of Chronic Hepatitis C Infection

*Poynard et al. Lancet. 1997.

Liver Biopsy

Gold standard
Sampling error*
Morbidity/Mortality

*Regev et al. Am J of Gastro. 2002

Populations Most Likely to Benefit

Patients without marked leukopenia, thrombocytopenia, or anemia*
Low viral load**
Younger age***

*Strader. Hepatology. 2002.
**Hadziyannis et al. Ann Int Med. 2004.

***Poynard et al. J Hepatol. 2001.

Prevention of HCV Infection Complications

- Cirrhosis
- Decompensated liver disease
- Possible liver transplantation
- Potential of reducing HCC
- Possible prolonging survival

*Yoshida et al. Ann Intern Med. 1999.
**Yoshida et al. Gastro. 2002.

Sustained Virological Response

- Lower rate of SVR in cases with bridging fibrosis or cirrhosis*
- Treatment does not cause viral resistance therefore no burned bridges

*Manns et al. Lancet. 2001.

Cost Effectiveness

- Likelihood of Sustained Viral Response
- Quality of Life
- Prevention of complications
- Treatment prior to development of comorbidities

*Grieve et al. Gut. 2006

Psychological Impact

- Avoid chronic disease
- Prevent guilt of infecting others
- Avoid stigma of blood borne infection

*Minuk et al. J Viral Hepat. 2005.

Treatment of Genotype 1 Documented Mild Hepatitis C

“Watch and Wait” philosophy fails
Liver biopsies can not guide treatment alone
Progression occurs at different rates

Treatment for Mild HCV

- Prevents Complications
- Provides better response rates with SVR
- Cost Effective
- Improved Quality of Life